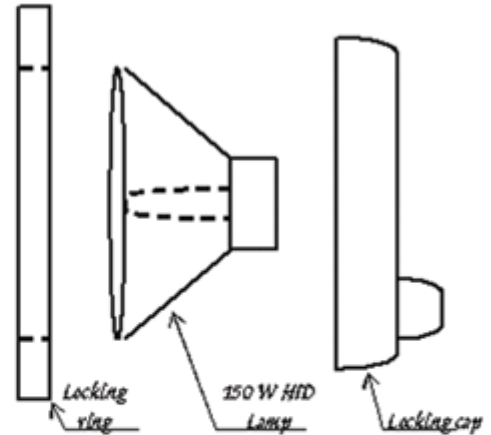
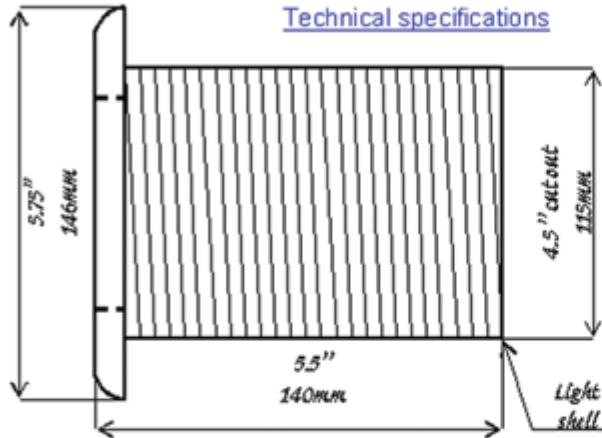


2006 Xtreme beam

Technical specifications



Specifications

Mounting

4.5" / 115mm DIA CUT OUT

Material

Material 316L stainless steel /
5086 Marine Grade Aluminum.
[Titanium available upon request]

Bulb change

Inside the hull

Lens

0.5" / 13mm borosilicate.

Power requirement options

110V AC at 1.3 Amps 60Hz or
220V AC at 0.8Amps 50 Hz.

Ballast

Thermally protected UL app

Cable

ABS, Lloyds, UL, and US Coast guard
Approved IEEE 1580. Cable length not to
exceed 20' from ballast to lamp. Custom
length available upon request.

Light source

UL approved ballast and lamp 150W metal
halide lamp with ceramic reflector.

Light output

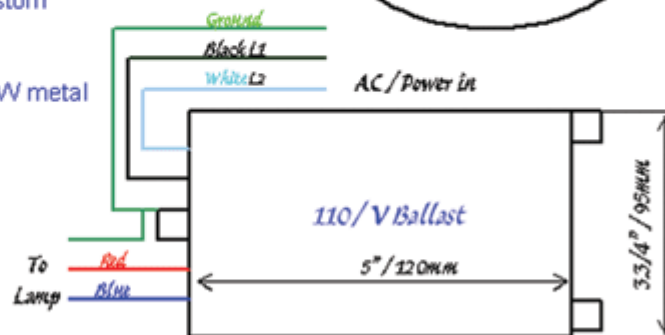
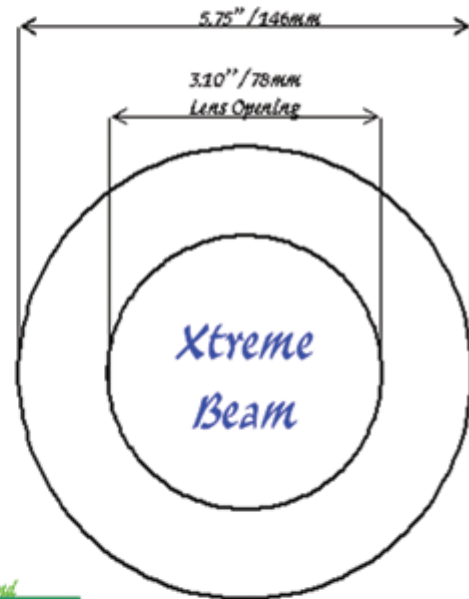
Watts - 150W

Lumens - 13000 L

Color temp - 4500 Kelvin

Average life - 6000 Hrs

Beam spread - 85 deg



EASY 5 STEP INSTALLATION FOR FIBERGLASS HULLS

1. Verify that the hull thickness does not exceed 3" or 80mm then select the location choice on your boat approximately 12" or 250mm below the water line. Drill using a pilot bit first to ensure there are no internal obstacles.
2. Loosen the cable connector at the rear of the cap, then remove the rear cap counter clockwise and place light and cap in a safe place until fixture is installed. Using a holesaw, cut out a 4.50" or 115mm diameter hole.
3. Clean hole thoroughly using 3M adhesive remover or a similar alcohol-based agent. Be sure to seal the core, if needed, with marine epoxy or 3M 5200.
4. Install the fixture using 3M 5200 or 4200 Fast Cure Silicon, just as you would with any other thru hull, then hand tighten internal locking ring. Once the ring has been tightened, lock the 4 locking bolts firmly against the hull. Next clean all excess 5200 from the surrounding area with 3M adhesive remover or a similar alcohol-based substance.
5. Re-connect cable connector, then hand tighten cap clockwise. Be sure to leave sufficient cable length for bulb changes and service (± 2-3 feet). Connect bonding strap.

IMPORTANT NOTES

INSTALLATION:

All installations including electrical should be performed by qualified personnel only. The manufacturers and dealers of Xtreme Beam will not be held responsible for improper installations. Refer to electrical diagram on ballast.

PRODUCT GUARANTEE:

The Xtreme Beam Fixture is guaranteed for 1 year from purchase date. This guarantee does not include removal, installation or lamp life. Proof of purchase is required.

ALUMINUM HULLS:

Do not use stainless fixtures for aluminum hull vessels; only aluminum fixtures should be used. Prep and paint aluminum fixtures as you would the rest of the hull. Refer to boat builder for more information.

LENS:

The lens has been installed and tested by Advanced Marine Underwater Lighting and should not be tampered with in any way.