

SMX-2 Installation & Specs

EASY 5 STEP INSTALLATION FOR FIBERGLASS HULLS SMX-2

- 1) Verify that the hull thickness does not exceed 3" or 80mm, then select the location choice on your boat approximately 12" or 250mm below the water line. Drill using a pilot bit first to ensure there are no internal obstacles.
- 2) Disconnect the connector. Using a holesaw drill a 3.5" Diameter hole.
- 3) Clean hole thoroughly using 3M adhesive remover or similar alcohol based agent. Be sure to seal the core, if needed, with marine epoxy or 3M 5200 silicone.
- 4) Install the fixture using 3M 5200 or 3M 4200 Fast Cure Silicone, just as you would with any other thru hull fitting. Then hand-tighten the internal locking ring. Once tightened, lock the 4 locking bolts firmly against the hull. Do not over tighten; be sure to leave a sufficient bead of silicone around the fixture.
- 5) Now clean all excess silicone from the surrounding area with 3M adhesive remover or similar substance. Reconnect the connector. Be sure to leave sufficient cable length for easy bulb changes and service. Connect bonding strap.

Important notes:

Keep unit clear of all obstructions.
Do not rest anything against the light.

Installation:

All installations including electrical should be performed by qualified personnel only. The manufacturers and dealers of Xtreme beam and its related products will not be held responsible for improper installations. The LENS has been installed and tested by Advanced Marine Underwater Lighting and should not be tampered with in any way.

- **PRODUCT GUARANTEE:** The SMX-2 body and lens only is guaranteed for 2 years from date of purchase. The guarantee does not include removal or installation of the light. The ballast and electrical components are guaranteed for 1 year from date of purchase. The lamp is guaranteed for 30 days. Proof of purchase is required for all guarantees.
- **ALUMINUM HULLS:** Do not use stainless fixtures for aluminum hull vessels; only aluminum fixtures should be used. Prep and paint aluminum fixtures as you would the rest of the hull. Refer to boat builder for more information.
- **LENS:** The lens has been installed and tested by Advanced Marine Underwater Lighting and should not be tampered with in any way.

MODEL SMX-2

FEATURING

GROUND BREAKING HID DC BALLAST POWER OPTIONS
12 OR 24 VOLT DC - 70 OR 150 WATT HID LAMP TECHNOLOGY.
BURNS BRIGHTER AND HAS LONGER LIFE HOURS THAN XENON
ALSO AVAILABLE IN 110 OR 220 VOLT AC 50/60 HZ

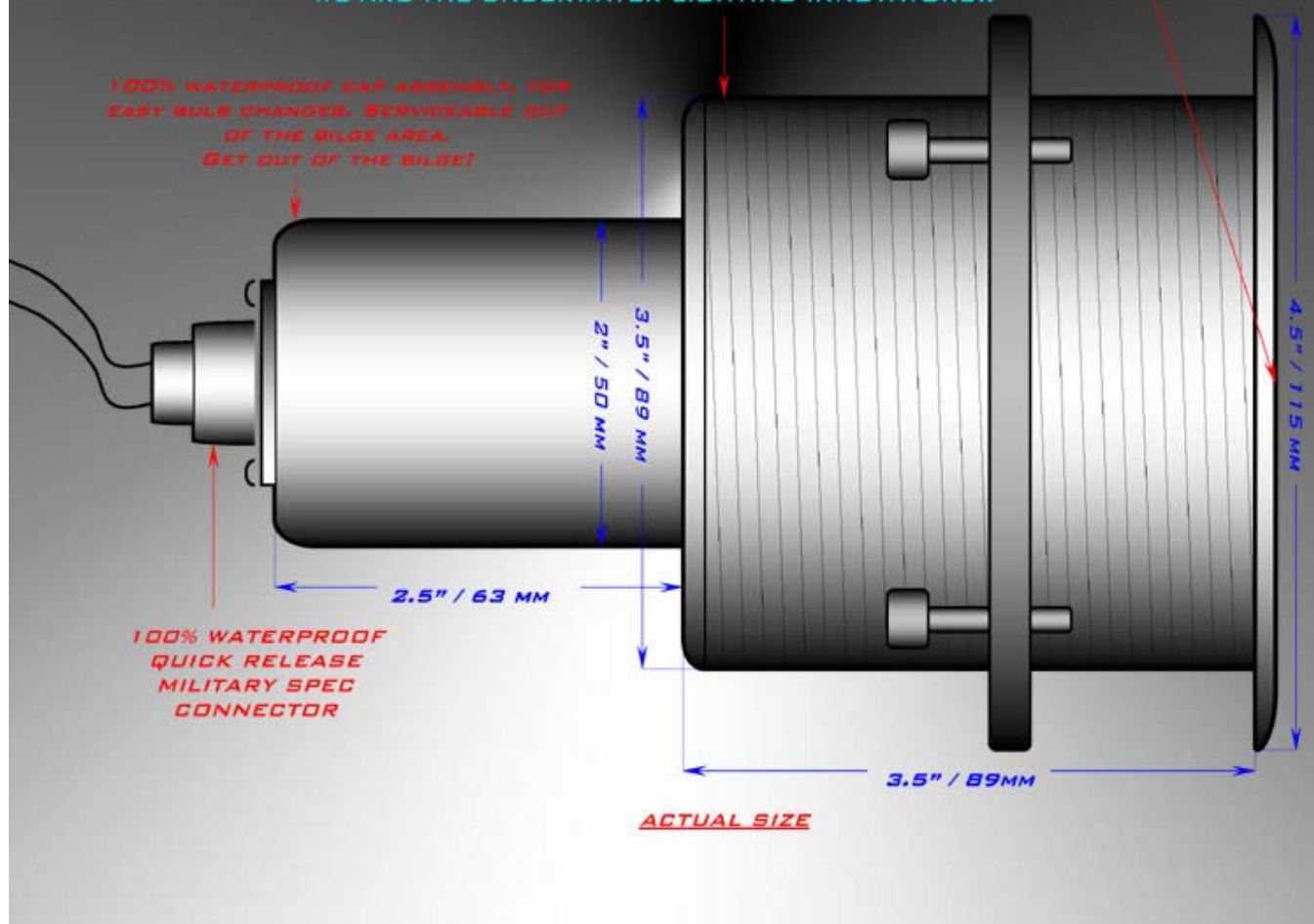
AVAILABLE IN: 316L STAINLESS STEEL OR 5086 MARINE GRADE ALUMINUM
[TITANIUM UPON REQUEST]

NEWLY DESIGNED SHELL, MACHINED OUT OF A SOLID PIECE
FROM FRONT TO BACK. WE NEVER CUT CORNERS ON QUALITY.

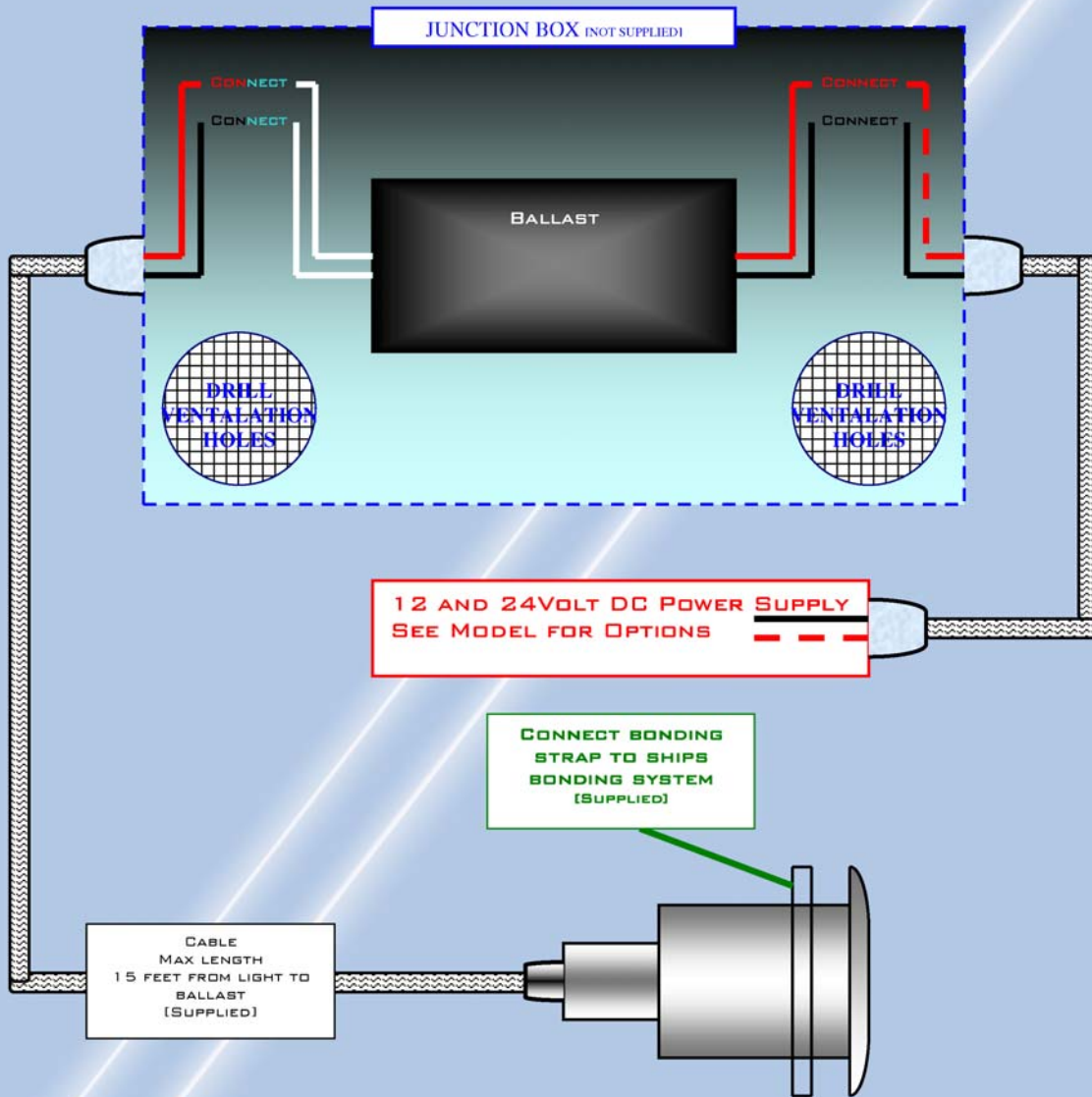
BEWARE OF COMPANY'S THAT USE CHEAP JOINS AND
CHARGE YOU AS IF THERE WEREN'T ANY. THE NEW SMX-2 IS
DESIGNED FOR QUICK AND EASY INSTALLATION. NOW THERE
IS NO NEED TO DISMANTLE THE UNIT WHEN INSTALLING,
SAVING YOU TIME, MONEY AND PREVENTING BULB DAMAGE
AND DIRT OR FILING INTRUSION.

WE ARE THE UNDERWATER LIGHTING INNOVATORS!!

THE ONLY
UNDERWATER LIGHT
WITH NEW PATENT
PENDING FLUSH
MOUNT LENS DESIGN.
EASY MAINTENANCE!!



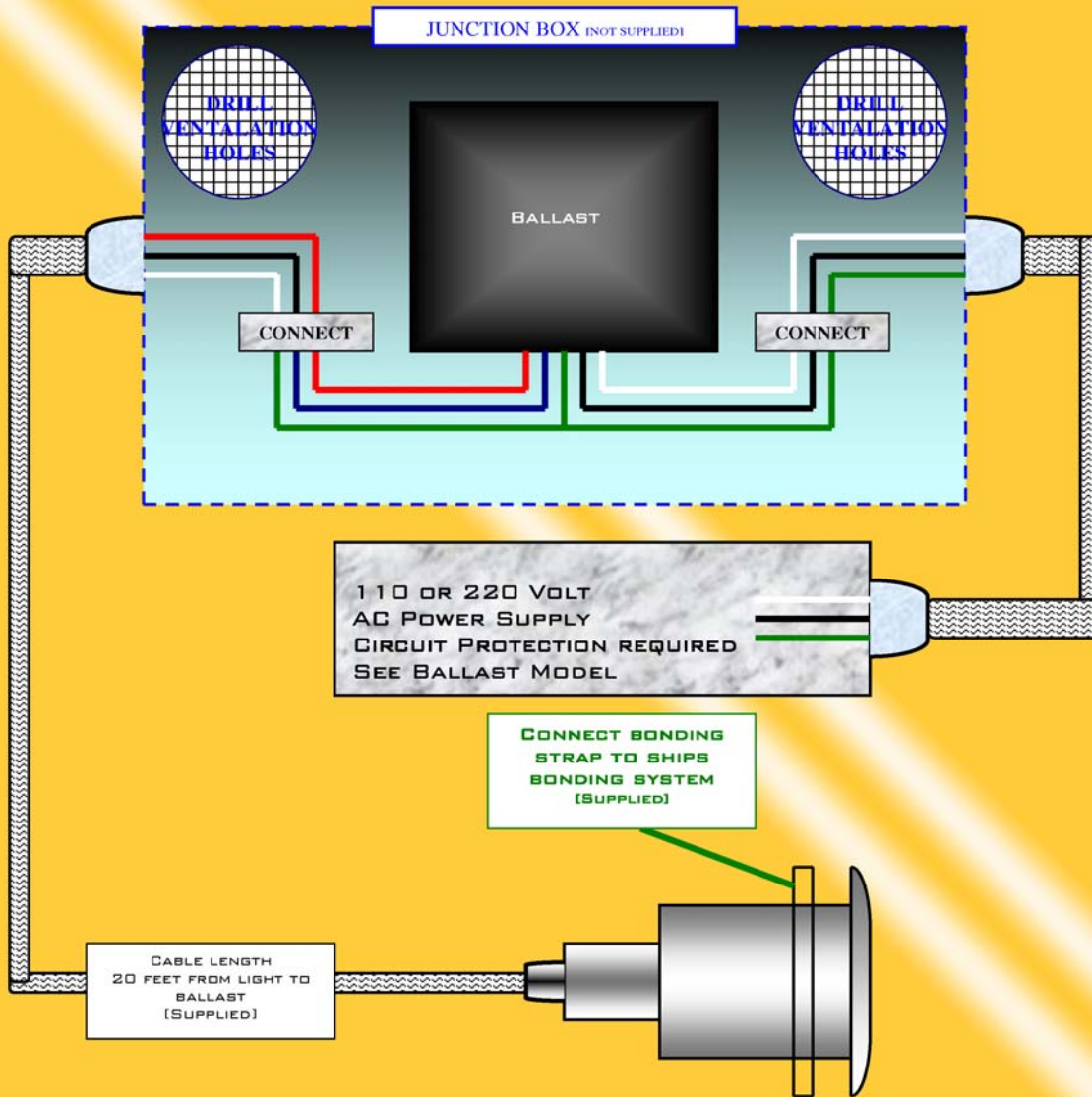
ADVANCED MARINE UNDERWATER LIGHTING
SMX-2 /12 AND 24 VOLT -DC - 70/150 WATT HID
ELECTRICAL DIAGRAM



PLEASE NOTE:

- 1) ALL ELECTRICAL CONNECTIONS ARE TO BE PERFORMED BY QUALIFIED PERSONNEL ONLY.
- 2) **DO NOT EXTEND THE CABLE FROM THE BALLAST TO THE LAMP;**
INSTEAD EXTEND ONLY THE POWER SUPPLY TO THE BALLAST
- 3) CONNECT BONDING STRAP
- 4) KEEP A 3-INCH CLEARANCE AROUND BALLAST.
- 5) MOUNT BALLAST IN DRY AREA.

ADVANCED MARINE UNDERWATER LIGHTING
A/SMX-2 / 110 AND 220 VOLT -AC 50/60HZ
70/150 WATT HID BALLAST
ELECTRICAL DIAGRAM



PLEASE NOTE:

- 1) ALL ELECTRICAL CONNECTIONS ARE TO BE PERFORMED BY QUALIFIED PERSONNEL ONLY.
- 2) THE CABLE FROM THE BALLAST TO THE LAMP MUST NOT BE LONGER THAN 40 FEET TOTAL.
- 3) CONNECT BONDING STRAP
- 4) KEEP A 3-INCH CLEARANCE AROUND BALLAST'S.
- 5) MOUNT BALLAST'S IN A DRY AREA.